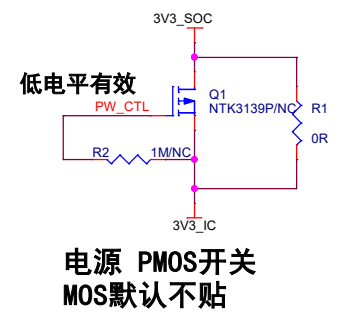
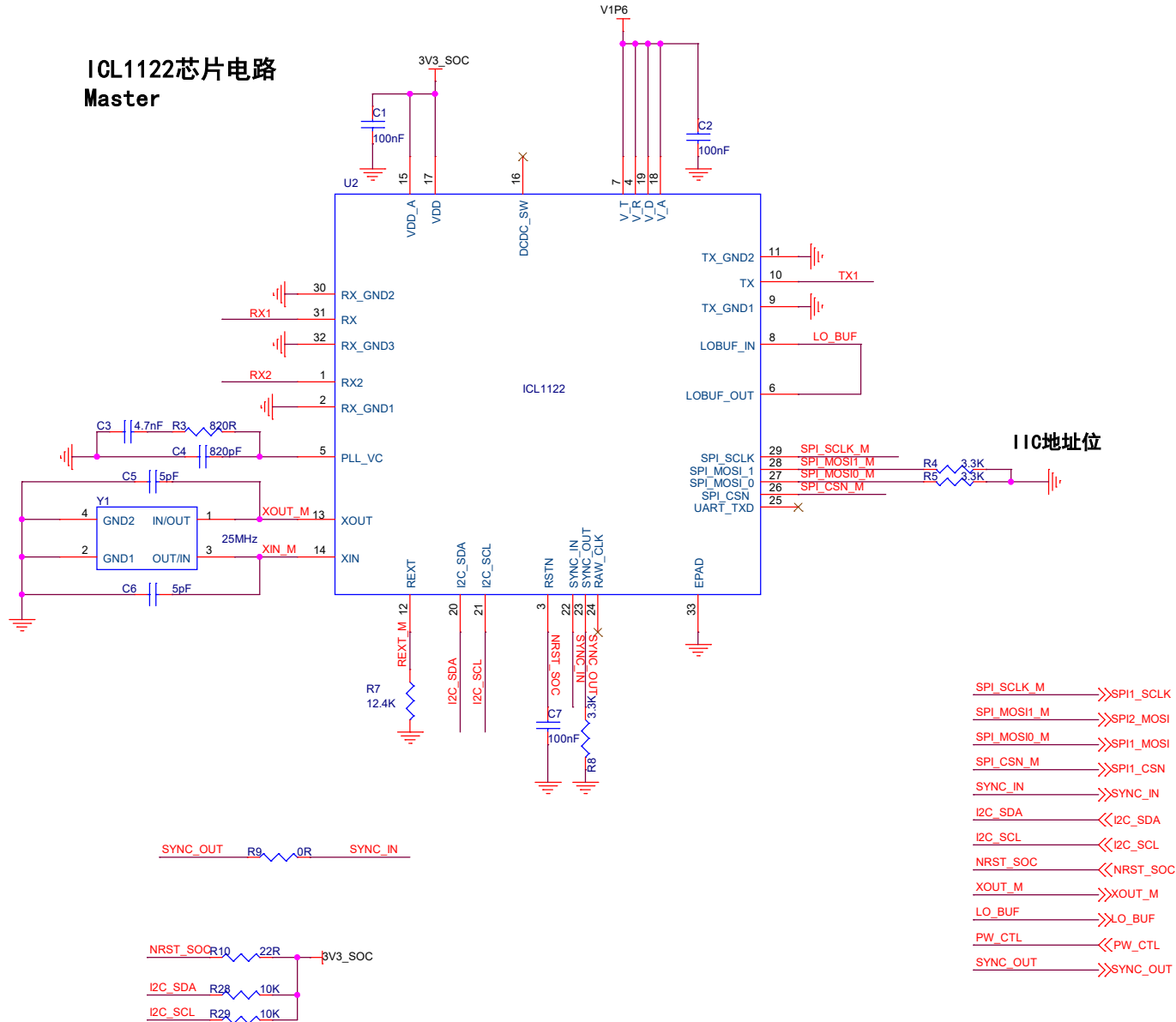


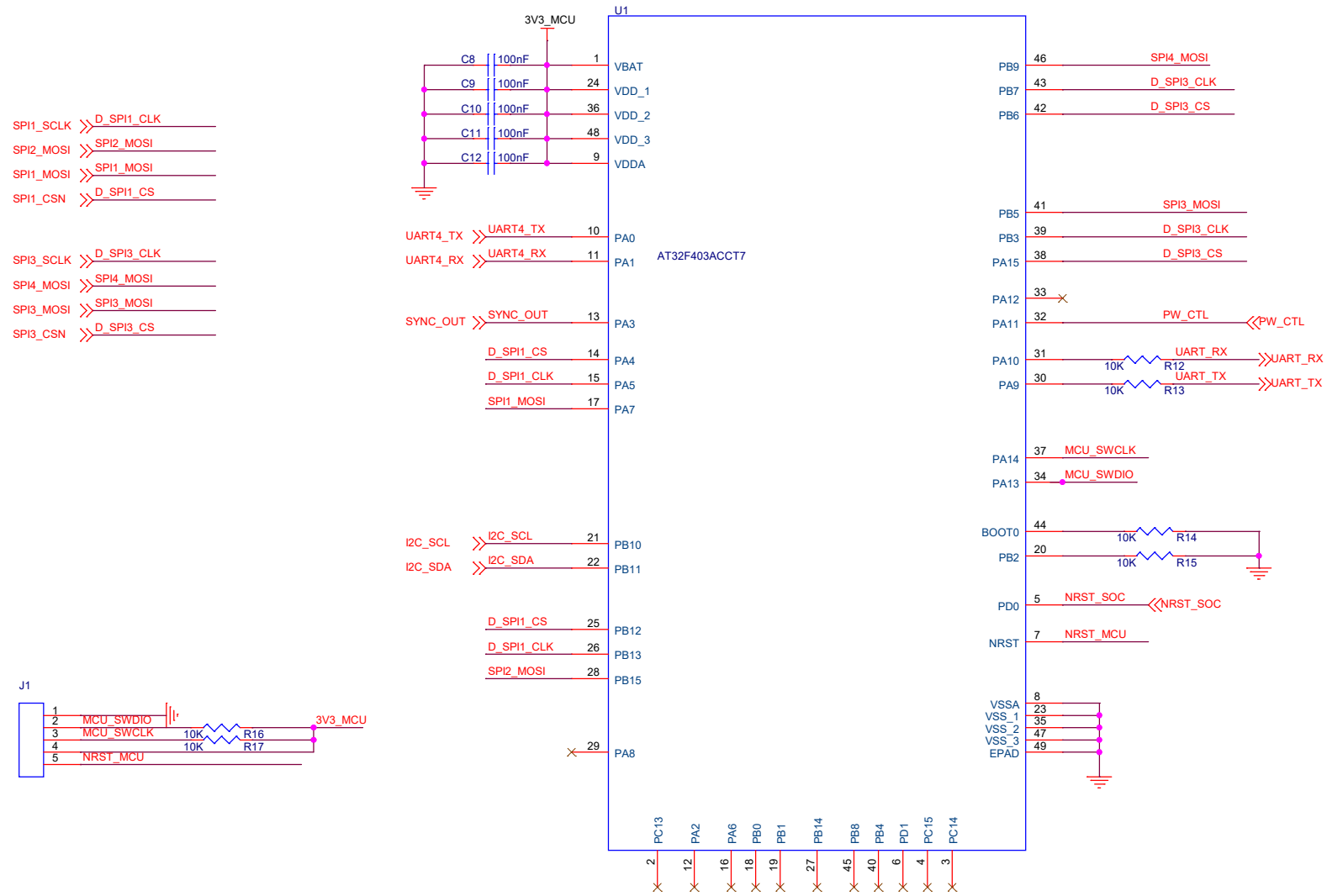
ICL1122芯片电路 Master



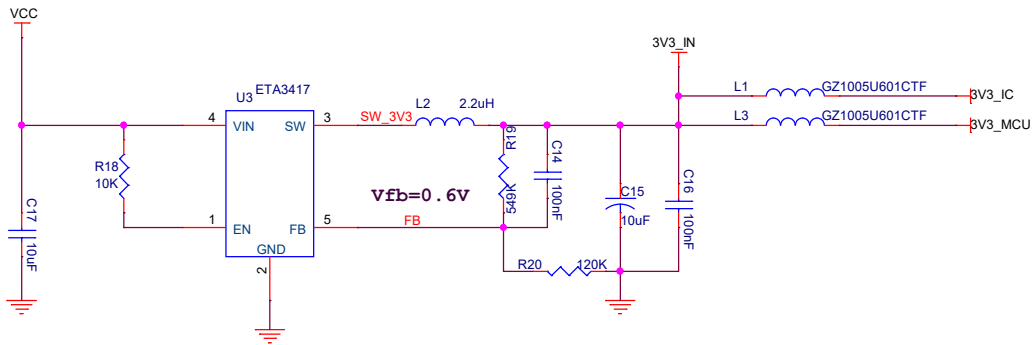
- IIC地址位
- SPI_SCLK_M >>> SPI_SCLK
 - SPI_MOSI_1 >>> SPI2_MOSI
 - SPI_MOSI_0 >>> SPI1_MOSI
 - SPI_CSN_M >>> SPI1_CSN
 - SYNC_IN >>> SYNC_IN
 - I2C_SDA <<< I2C_SDA
 - I2C_SCL <<< I2C_SCL
 - NRST_SOC <<< NRST_SOC
 - XOUT_M >>> XOUT_M
 - LO_BUF >>> LO_BUF
 - PW_CTL <<< PW_CTL
 - SYNC_OUT >>> SYNC_OUT

Title		
Page01_Master		
Size	Document Number	Rev
B		V1.0
Date:	Tuesday, October 28, 2025	Sheet 1 of 4

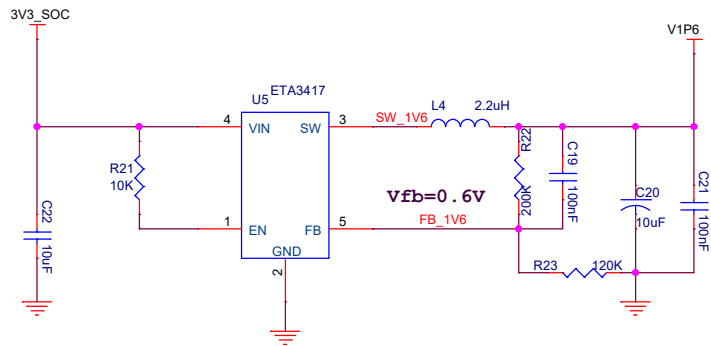
AT32F403ACCT7 MCU芯片电路



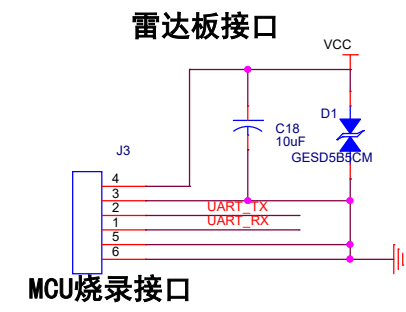
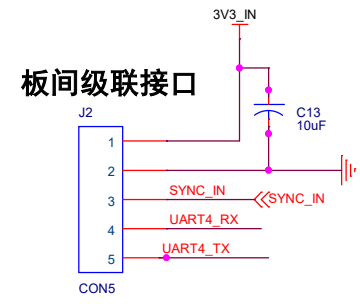
Title		
Page03_MCU		
Size	Document Number	Rev
B		V1.0
Date:	Monday, October 27, 2025	Sheet 2 of 4



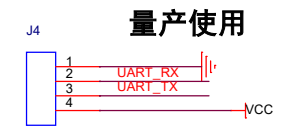
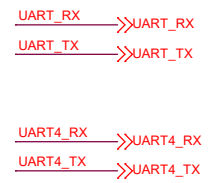
DCDC芯片 5v转化为3v3



DCDC芯片 3v3转化为1v6

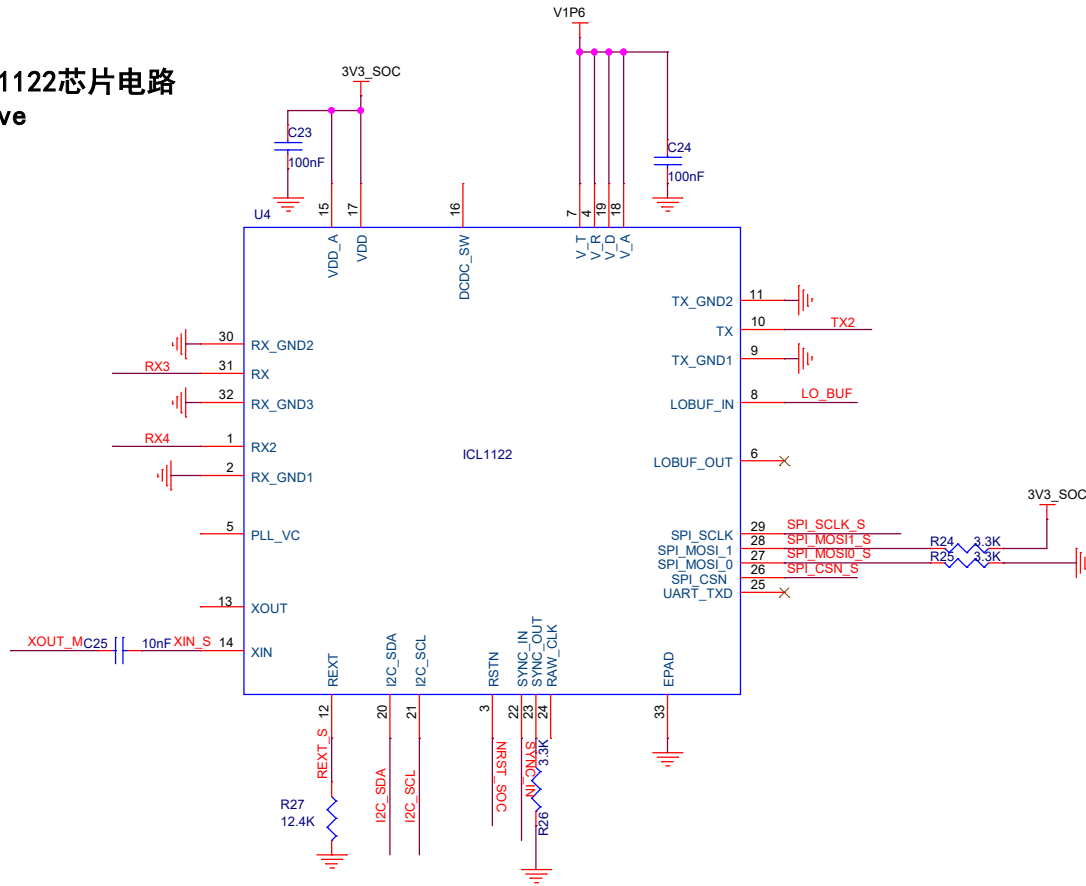


MCU烧录接口



Title		
Page04_Power		
Size	Document Number	Rev
B		V1.0
Date:	Monday, October 27, 2025	Sheet 3 of 4

ICL1122芯片电路 Slave



- SPI_SCLK_S >>> SPI3_SCLK
- SPI_MOSI1_S >>> SPI4_MOSI
- SPI_MOSI0_S >>> SPI3_MOSI
- SPI_CSN_S >>> SPI3_CSN
- SYNC_IN >>> SYNC_IN
- I2C_SDA <<< I2C_SDA
- I2C_SCL <<< I2C_SCL
- NRST_SOC <<< NRST_SOC
- XOUT_M >>> XOUT_M
- LO_BUF >>> LO_BUF

Title		
Page02_Slave		
Size	Document Number	Rev
B		V1.0
Date:	Monday, October 27, 2025	Sheet 4 of 4